

accessories

cleats 186



shackle & pad-eyes 188



sliding pad-eyes..... 190



promotional items 192



model index200

roller cleat



mod. RC290/SI

mod. RC290/B



1.



2.



3.



4.

Roller is a folding cleat with rotating horns: with a simple gesture of your hand, you can open or close roller even with the line on, just by turning one of the horns.

Roller is **open**: you can easily tie or remove the mooring line.

Roller is **closed**: this position minimizes the size and, more important, prevents other lines from getting caught.

The horns can be shut down or turned up even under load. Roller is the only folding cleat you can close with the line on.

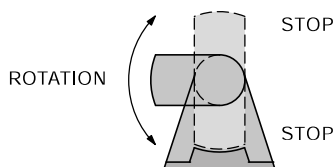
Roller has perfectly rounded shapes in order not to damage the mooring lines.

Available in 4 sizes and 2 finishes: silver (**/SI**) or black anodized (**/B**).

Mounting screws included.

Horn rotation

The horn can only be rotated on one side (inward). In this way, Roller can act as a footrest (outward rotation is locked).

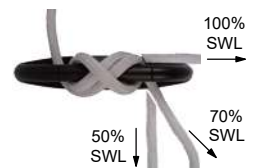


A safety ball keeps the cleat steady in the open or closed position.

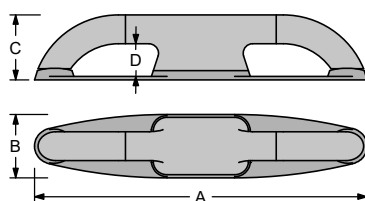
Safe Working Load

The SWL may differ according to the pull direction, depending on the type of mooring line used.

Mooring knot: the max. load changes with the line direction.



Spliced line: the max. load remains the same for any line direction.



MODEL	A mm	B mm	C mm	D mm	SWL kg	WEIGHT kg	SCREWS N" x Ø mm	MAX LOA ft
RC230*	232	46	46	21	2000	0.44	2 x Ø10 + 2 x Ø6	36
RC290*	287	55	56	28	4000	0.77	2 x Ø14 + 2 x Ø6	46
RC350*	346	64	65	31	7500	1.33	4 x Ø12 + 2 x Ø6	58
RC420*	418	76	77	36	11500	2.30	4 x Ø14 + 2 x Ø8	70

* For black finishing add /B to the model number, add /SI for the silver.

track adjustable cleat

TRACK ADJUSTABLE CLEAT

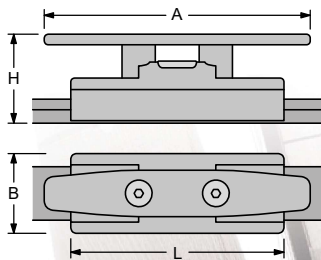
Two moveable cleats for either 32 mm or 40 mm T-track.

Cleats and slider are CNC machined from hard black anodized aluminum, low profile design.

Single screw-in stop pin keeps the cleat firmly locked in any position along the track, or locked open for easy of movement.

Nylon insert on the slider for easier movement.

S.steel version available.

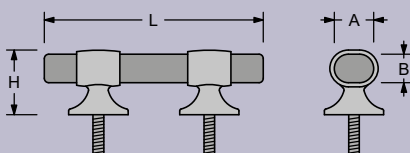


MODEL	T TRACK mm	PIN Ø mm	A mm	B mm	H mm	L mm	WEIGHT gr
622.412	32x6	11	170	49	55	132	0.45
623.412	40x8	14	200	60	67	160	0.78



CLASSIC CLEATS

This cleat is a classical look cleat formed by a teak beam and a double s.steel basis. Teak Cleat is available in two sizes.

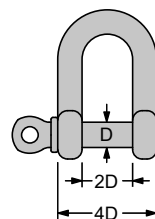


MODEL	A mm	B mm	H mm	L mm	SCREWS Ø mm
7412	36	26	60	320	10
7413	48	31	73	400	16

shackles & pad-eyes

SHACKLES AISI 316 & HR

Antal supplies standard shackles made in AISI 316 and HR high resistance s.steel. The HR version offers higher values of the Safe Working Load.



SHACKLES AISI 316

MODEL	D mm	SWL kg	ANTAL BLOCKS Ø mm
005SS	5	600	50
006SS	6	800	60
008SS	8	1300	---
010SS	10	1900	---
012SS	12	2600	---
014SS	14	3500	---
016SS	16	4400	---

SHACKLES HR

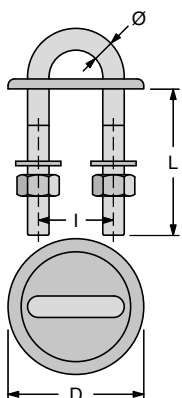
MODEL	D mm	SWL kg	ANTAL BLOCKS Ø mm
---	---	---	---
006HR	6	1300	70
008HR	8	2200	80
010HR	10	3500	100
012HR	12	5000	120
014HR	14	7000	140 - 150
016HR	16	9000	180



"Ciolita" - photo J.R.Taylor

"U" BOLTS

Made of AISI 316 stainless steel. They can be fitted with a block and a "stand-up" spring.



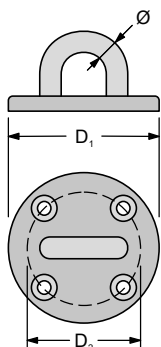
MODEL	7105	7106	7108	7110
Ø mm	5	6	8	10
I mm	17	22	28	35
D mm	38	44	54	63
L mm	50	55	67	67
WEIGHT kg	0.05	0.06	0.13	0.17
SWL kg	500	800	1500	2500
BLOCK Ø mm	50	60	70	80



Do not use Antal U-Bolt for boat lifting

"4 SCREWS" PAD-EYES

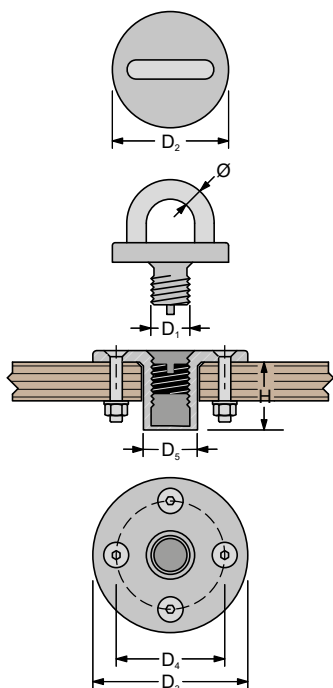
These models, made in AISI 316 s. steel, are fixed to the deck with 4/6 screws that guarantee the best distribution of the load, making them the right solution for heavy loads. They can be fitted with a block and a "stand-up" spring.



MODEL	7206	7208	7210	7212	7214	7216	7220
Ø mm	6	8	10	12	14	16	20
D ₁ mm	44	65	75	80	99	110	129
D ₂ mm	32	49	53	59	74	84	104
SCREWS N° x Ø mm	2 x Ø6	4 x Ø6	4 x Ø8	4 x Ø8	4 x Ø10	6 x Ø10	6 x Ø10
WEIGHT kg	0.10	0.16	0.26	0.38	0.68	1.10	1.80
SWL kg	800	1500	2500	3600	4600	6500	9000
BLOCK Ø mm	60	70	80	100	120	140 - 150	180

SCREWED EYEBOLTS

Made of AISI 316 stainless steel. This solution allows an easy removal of the eyebolt from the deck. They can be fitted with a block and a "stand-up" spring. Blocks with screwed eyebolts include: block with spring and (removable) eyebolt and the base (fixed to the deck). The same base is suitable for blocks of different sizes: same base for 70 and 80 mm blocks, same for 100 and 120 mm blocks and one for 140, 150 and 180 mm.



MODEL	7306	7308	7310	7312	7314	7316	7321
Ø mm	6	8	10	12	14	16	20
D ₁ mm	12	20	20	24	24	30	36
D ₂ mm	40	50	60	70	78	84	100
D ₃ mm	46	70	80	90	90	120	120
D ₄ mm	30	50	56	64	64	92	92
D ₅ mm	- - -	28	28	32	32	42	46
H mm	- - -	35	35	38	38	56	56
SCREWS N° x Ø mm	2 x Ø6	4 x Ø6	4 x Ø8	4 x Ø10	4 x Ø10	6 x Ø10	6 x Ø10
WEIGHT kg	0.23	0.56	0.58	0.72	1.09	2.20	3.60
SWL kg	800	1500	2500	3600	4600	6500	9000
BLOCK Ø mm	60	70	80	100	120	140 - 150	180

Do not use Antal Pad-Eyes or Eyebolts for boat lifting

sliding pad-eye



Mod. SP10.48

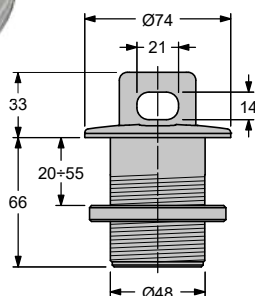
SLIDING PAD-EYE

A sliding pad-eye with two positions:

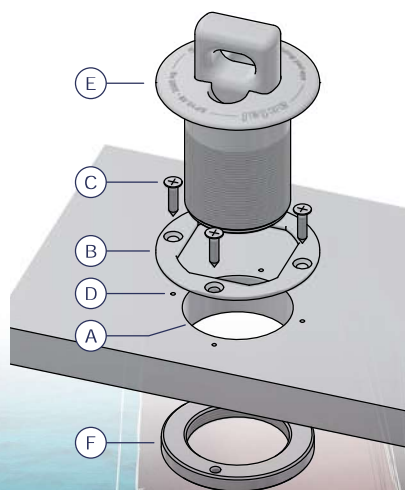
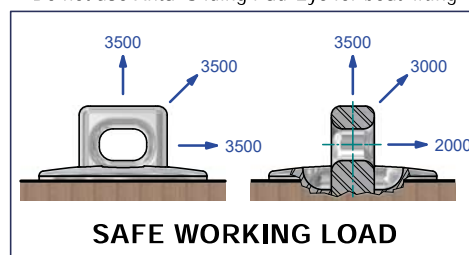
- **open:** for a Dyneema™ line connection or an HR shackle 10 mm connection;
- **closed:** to offer a completely flush deck.

Made from highly polished 316 stainless steel.

Weight = 850 gr **SWL = 3500 kg**



Do not use Antal Sliding Pad-Eye for boat lifting



- Drill a Ø48 mm hole (A) on a reinforced area of the deck.
- Center washer B on the hole and turn it so that the pad-eye is along the direction of the maximum load.
- Put some sealant under the washer and fix it with the 4 self-tapping screws C (first drill 4 holes of Ø3 mm D).
- Put some sealant on the washer and insert cylinder E into the hole. Rotate the cylinder until it enters the square hole of the washer.
- Lock the cylinder by screwing ring-nut F from under the deck. The ring-nut is provided with two threaded holes for Ø5 mm screws (not supplied) that can be used for strong tightening.



Marina Militare - Capricia